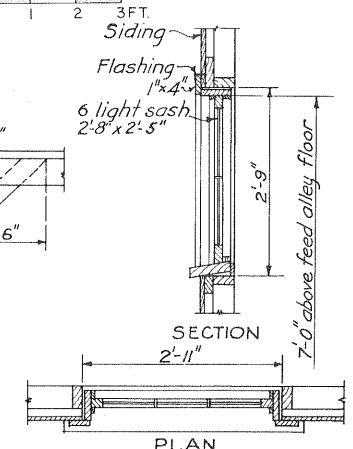
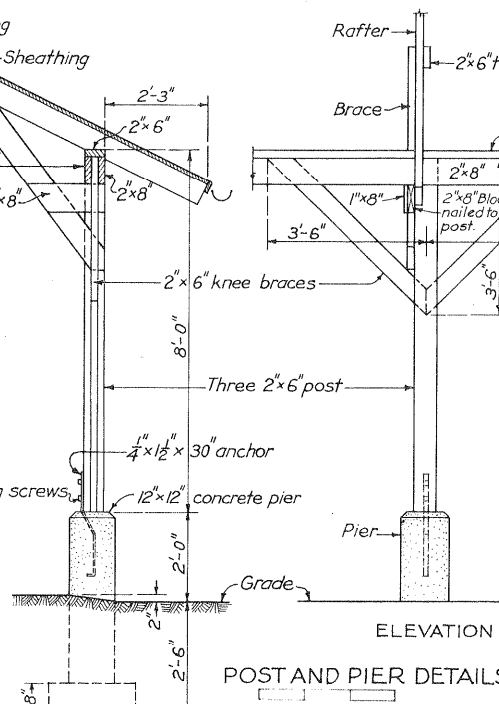
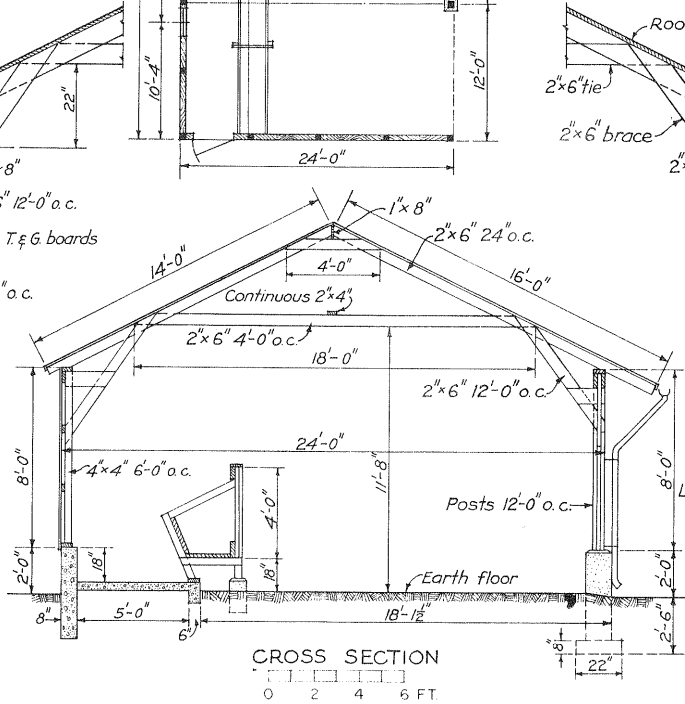
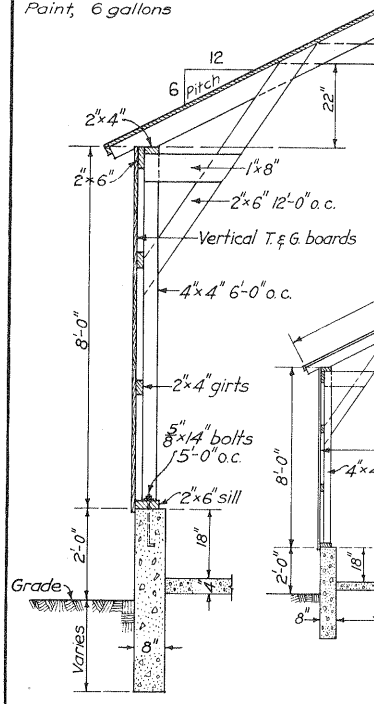
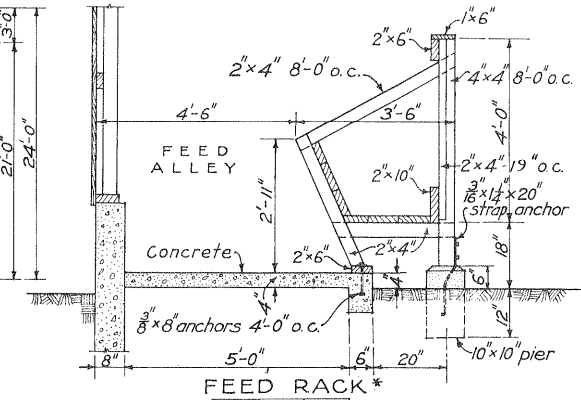
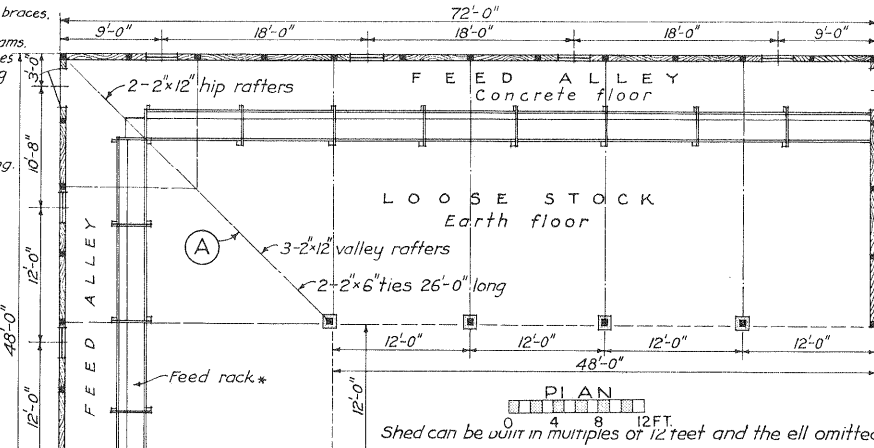
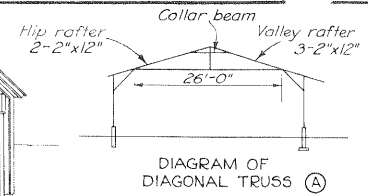
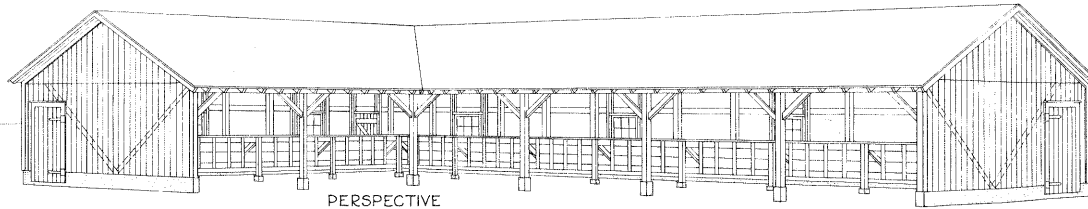


BILL OF MATERIALS

- CONCRETE** 1:2½:5 Mix
Cement 135 sacks
Sand 12.5 cu. yards
Gravel 25 cu. yards
LUMBER
 4" x 4" x 10'-0" 6 ea. posts, feed rack.
 4" x 4" x 8'-0" 29 ea. posts, wall.
 2" x 12" x 20'-0" 5 ea. hips/valley rafters.
 2" x 10" x 12'-0" 9 ea. feed rack.
 2" x 8" x 12'-0" 39 ea. girts, feed rack.
 2" x 6" x 13'-0" 7 ea. ties.
 2" x 6" x 16'-0" 48 ea. rafters.
 2" x 6" x 14'-0" 52 ea. rafters, diagonal truss tie.
 2" x 6" x 12'-0" 39 ea. sills, plates, girts, feed rack, knee braces.
 2" x 6" x 10'-0" 6 ea. knee braces.
 2" x 6" x 8'-0" 39 ea. posts, built up collar beams.
 2" x 4" x 12'-0" 72 ea. girts, feed rack, win. edr. framing.
 2" x 4" x 8'-0" 50 ea. feed rack, win. edr. framing.
 1" x 8" x 12'-0" 35 ea. ridge board/feeder rack.
 1" x 8" x 8'-0" 5 ea. knee brace ties.
 1" x 6" x 14'-0" 3 ea. diagonal brace.
 1" x 6" x 12'-0" 9 ea. feed rack.
 1" x 6" T. & G. 1800 board ft. siding.
 1" x 6" Board 3800 board ft. & roof sheathing.
MILLWORK
 3-6" x 7'-0" Door frames with trim - 3 ea.
 2-8" x 2'-5" 6 Light barn sash with frames and outside casing - 7 each.
ROOFING 31 Squares
METAL WORK
 3/8" x 1/4" Anchor bolts 32 each
 3/8" x 3" Anchor bolts 28 each
 1/2" x 1/2" Lag screws 10 each
 3/8" x 3" Lag screws 24 each
 3/8" x 1/4" x 20" Strap anchors 12 each
 1/4" x 1/2" x 30" Strap anchors 5 each
 12" Tee hinges 3 pair
 5" Gutter 72 linear ft.
 4" Leader 18 linear ft.
 4" 45° Leader elbows 6 each
 16d Common nails 170 lbs.
 8d Common nails 150 lbs.

Paint, 6 gallons



REVISED '52

COOPERATIVE EXTENSION WORK IN AGRICULTURE AND HOME ECONOMICS
 DEPARTMENT OF AGRICULTURAL ENGINEERING
 UNIVERSITY OF MARYLAND
 AND
 UNITED STATES DEPARTMENT OF AGRICULTURE COOPERATING

CATTLE SHED

USDA '47 EX. 5637 SHEET 1 OF 1

* Note: omit feed racks unless feeding will be done inside

This archival plan is provided as a **study plan** only and may not be suitable for construction without modification, and may not be appropriate for all locales. Code officials and other authorities should always be consulted before any construction is attempted.